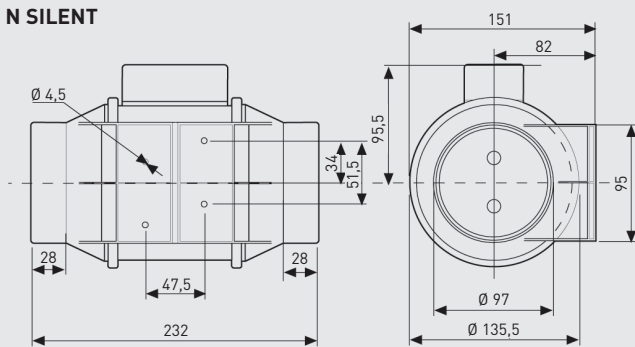
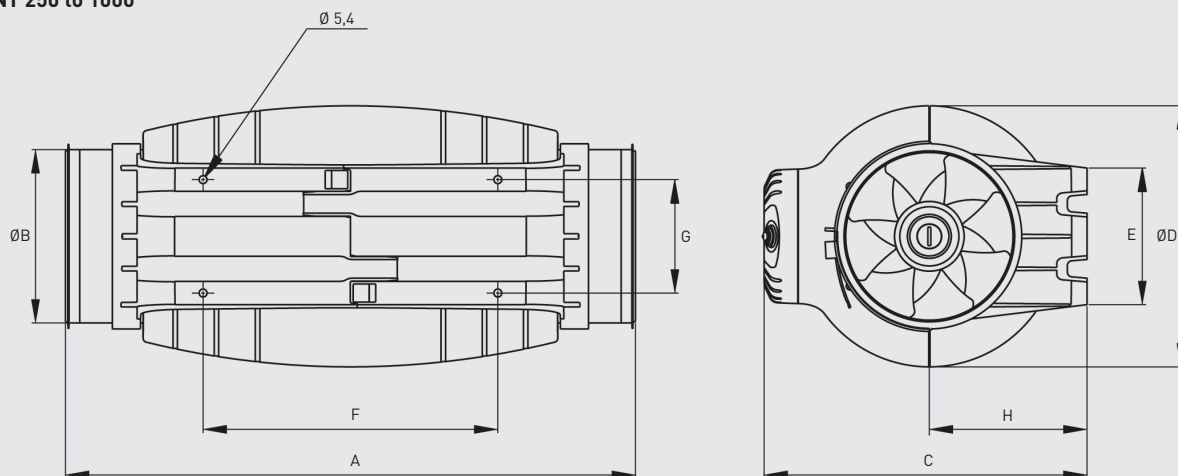


**DIMENSIONS (mm)**

**TD-160/100 N SILENT**



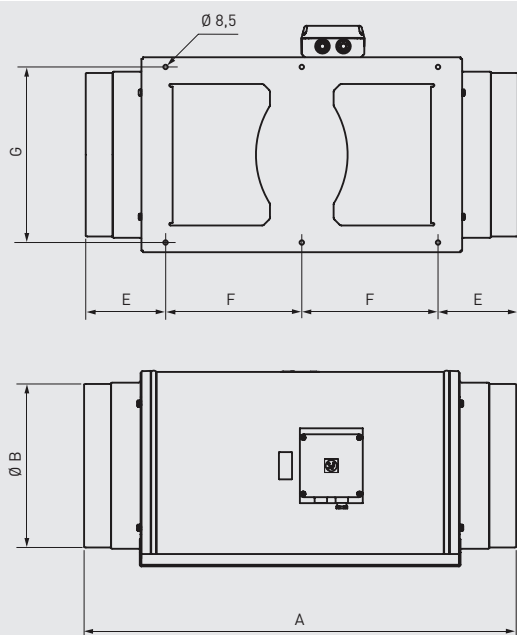
**TD-SILENT 250 to 1000**



	A	ØB	C	ØD	E	F	G	H
TD-250/100	575	97	252	204	100	250	83	121
TD-350/125	462	123	252	204	100	250	83	121
TD-500/150-160*	484	147	274	221	116	250	96	134
TD-800/200	568	198	327	264	145	340	129	164
TD-1000/200	568	198	327	264	145	340	129	164

\* It provides an additional rubber gasket for installation in 160 mm ducts.

**TD-SILENT 1300 and 2000**



	A	B	C	D	E	F	G	H
TD-1300/250 SILENT	680	248	331	387	140	200	280	171
TD-2000/315 SILENT	825	312	373	432	152	260	335	192

